

Product Catalogue

The Toolflex System is a range of simple, flexible tool holders for easy storage of handled tools and other items in most settings.

Products

- P-01 One
- P-02 Original Pro
- P-03 Motion





Everything in its place

The Toolflex System is a range of simple, flexible tool holders for easy storage of handled tools and other items in most settings. Toolflex is the obvious solution when you want to store a large number of items in a small space. Our objective is to create value for our customers by helping them to get more efficient by organizing.

Everything in its place

The knives, the pans, the ingredients... everything must be in its place so the chef can utilise time to create perfection. It is not only about organising and planning the kitchen to be more efficient – it's about preparing for success.

We believe that the same philosophy can be applied to all other fields of work, from professional cleaning services to the garage. That is why we constantly research and evolve our products to fit the modern working environment so that everything can be in its place.

Story

In 1982 engineer Bengt Forsberg started thinking of a product that would make it possible to easily store tools on the wall. His previous experience with rubber development led him to think of a solution where a rubber component locked a handle into place. The result formed the basis of a patent registered in 1983. Toolflex has since grown to become market leader in storage of handled tools. 35 years later, the products are now sold in over 40 countries.

Made in Sweden

Since its start Toolflex has been designed and manufactured in Sweden. For us it is important to have a sustainable approach to everything we do – from selecting high quality recyclable materials, to working with suppliers located within a 60 minutes radius from our factory in Småland, Sweden. We are certified according to ISO 9001:2015 and ISO 14001:2015 which ensures that all products are manufactured with a consistent high quality and environmental standard.

An ingenious system

Toolflex is a system where several different accessories can be mounted onto a rail or tube clamp. A complete product range ensures that all your handled tools can be organised efficiently. A distinctive feature of all Toolflex products is ease of use – a tool can be hung up or taken down using only one hand.

One P-01

The next generation of Toolflex

35 years of experience working with organisation and our passion for innovation and durability has resulted in a system that is long-lasting and easy to use. Toolflex One is designed to be the ultimate tool holder system. It is the result of advanced production technology, Scandinavian design and above all a comprehensive focus on hygiene and user-friendliness.

The new patented concept covers a large range of handle diameters, from Ø15-35 mm, resulting in a one-size-fits-all solution where almost any handled cleaning tool will fit into the holder. The open hygienic design of the holder in conjunction with its smooth surfaces makes it easy to wipe clean.

Thanks to its exclusive hygienic design with click 'n go function it is simple to remove individual holders, or the complete rail, without using any tools. Holders can be cleaned under water, in the dishwasher or in an autoclave. The new wall bracket improves the ability to clean behind the rail and reduces the risk of contamination.

The holders are made of strong and recyclable FDA-approved materials that comply with EU regulation 10/2011 and FDA regulation CFR21. All plastic materials are available in 8 colours that fully comply with HACCP and colour-coding standards. Toolflex One is NSF and HCV (HACCP Compliance Verification) certified.

The system is extendable so it is easy to add additional rails and simple to click on additional holders or attachments.

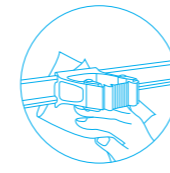
Accessories

- P-01 2-pack
- P-01 Hook

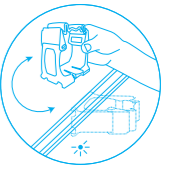


Toolflex One is ideal for

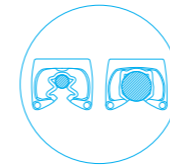
- Kitchen and restaurants
- Food and Beverage process industry
- Institutions
- Hotel and Lodging
- Healthcare



Hygienic rail & wall bracket



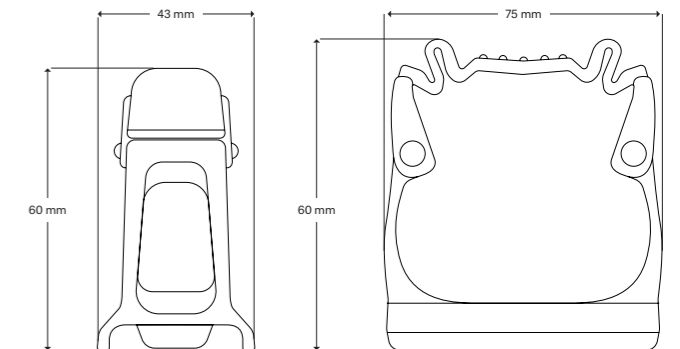
Click 'n go function



One holder fits all (Ø 15-35mm)



Technical Data	Holds tools from	Ø 15 - 35mm
	Colour availability	8 colours
	Materials	POM, PP, TPE, Aluminium
	Box Quantity	1 pcs
	Maximum cleaning temperature (Dishwasher)	93°C
	Maximum cleaning temperature (Autoclave)	121°C
	Minimum temperature	-20°C
	Maximum temperature	80°C
	Maximum weight individual holder	5kg
	Maximum weight rail	25kg
	Country of Origin	Sweden
	Used without rail	No



Original Pro

P-02

Classic function

Toolflex Original Pro is our basic assortment of quality products suitable for professionals who want a simple and flexible storage solution. Introduced in 1992 and still popular all over the world for its durability and user-friendliness. Perfect for industries implementing 5S standards as well as for organising the broom closet at the office.

The holders have predrilled screw holes and can be installed directly on a wall or mounted to the Toolflex P-02 rail. Using the rail, you can easily move the holders sideways, creating space for new holders and attachments without needing to make new holes in the wall. Should you require an additional holder or longer rail, you can easily supplement the system and expand it to the length you require.

Accessories

P-02 Hook
P-02 Bucket holder
P-02 2-pack

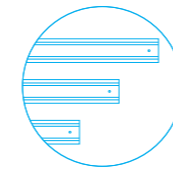


P-02 holders are available in four different sizes covering Ø 15–40mm

Small	(Ø 15–20 mm)
Medium	(Ø 20–30 mm)
Large	(Ø 25–35 mm)
X-Large	(Ø 30–40 mm)

The P-02 aluminum rail is available in three different length

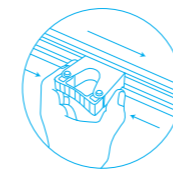
35 cm
50 cm
90 cm



Three lengths



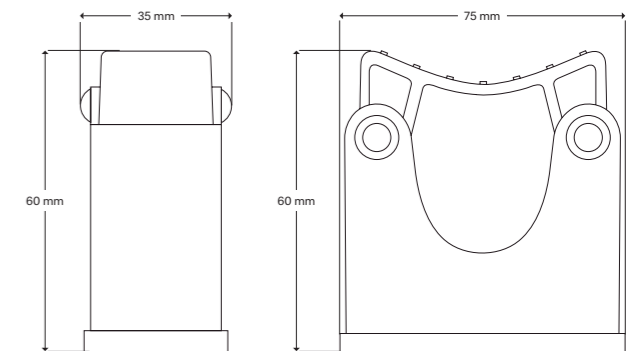
Four sizes



Slide function



Technical Data	Holds tools from	Ø 15–40mm (in 4 sizes)
	Colour availability	Depending on size*
	Materials	ABS, PP, TPE, Aluminium
	Box Quantity	10 pcs
	Cleaning temperature (Dishwasher)	Not recommended
	Cleaning temperature (Autoclave)	Not recommended
	Minimum temperature	-5°C
	Maximum temperature	60°C
	Maximum weight individual holder	5kg
	Maximum weight rail	25kg
	Country of Origin	Sweden
	Used without rail	Yes



Medium (Ø 20–30 mm)

* please check Product List for further information

Motion P-03

Organization on the go

Toolflex Motion is for professional users requiring tool storage on the move – ideal for the maintenance trolley or cleaning cart. Easily and quickly secure tools before moving to the next location, without losing precious time picking up dropped equipment. Made with shock resistant material to handle wall impacts without breaking.

Ideal for carts with metal tube sections – in horizontal, vertical or in any diagonal position. Smooth and secure – you use one hand for gripping and the tools are firmly secured.

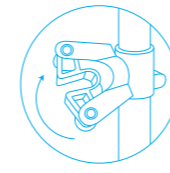
The holders have predrilled screw holes and can be installed directly on a flat surface or mounted with a tube clamp. Toolflex tube clamps are available in 12 different tube diameters and allow you to adjust the holder to the desired position.

Accessories
P-03 Hook



P-03 Holders are available in three different sizes covering Ø15-35 mm

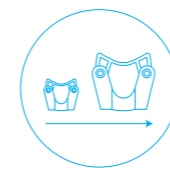
Small	(Ø 15-20 mm)
Medium	(Ø 20-30 mm)
Large	(Ø 25-35 mm)



360° rotation



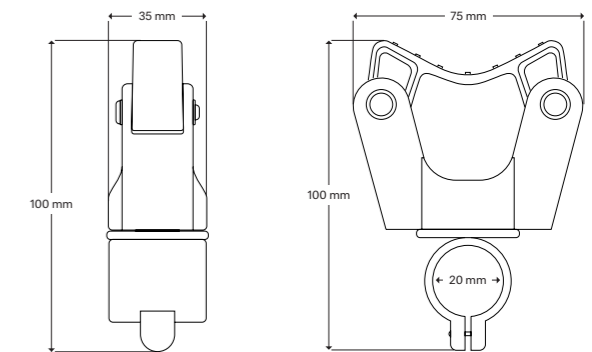
Tube clamp



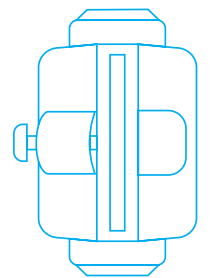
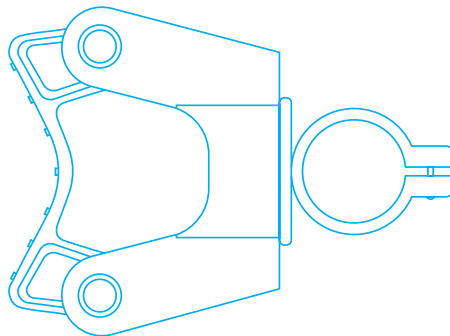
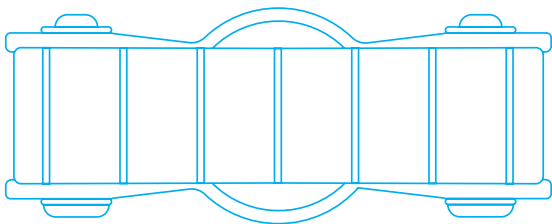
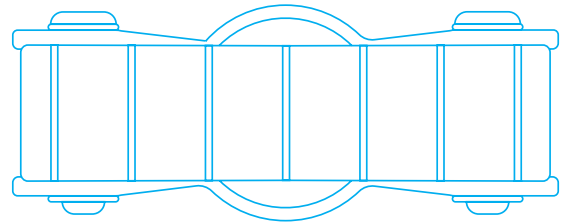
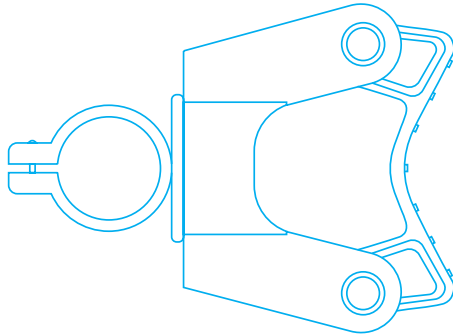
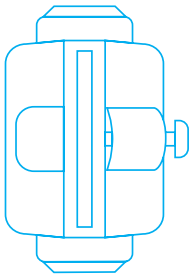
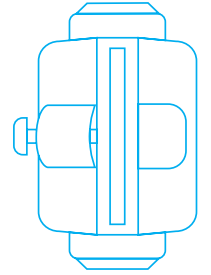
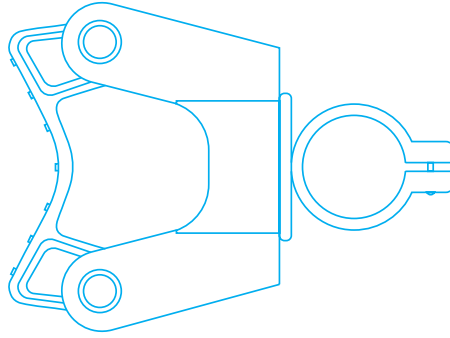
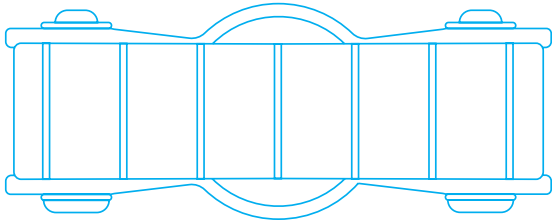
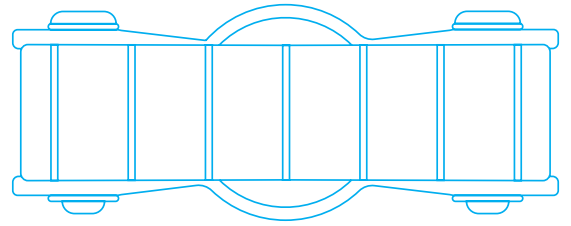
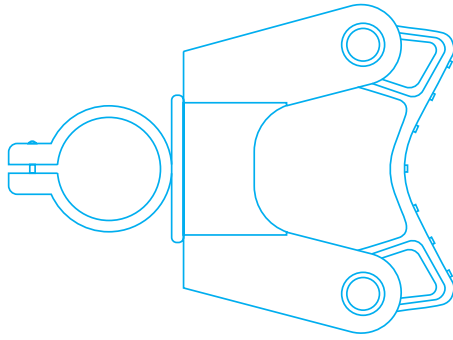
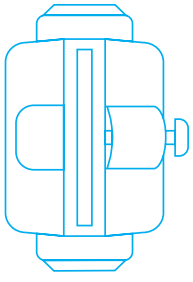
Three sizes



Technical Data	Holds tools from	Ø 15-35mm (in 3 sizes)
	Colour availability	Black
	Materials	PA6, PP, TPE
	Box Quantity	20 pcs
	Maximum cleaning temperature (Dishwasher):	93°C
	Maximum cleaning temperature (Autoclave)	121°C
	Minimum temperature	-20°C
	Maximum temperature	80°C
	Maximum weight individual holder	5kg
	Country of Origin	Sweden
	Used without rail	Yes



Medium (Ø20-30 mm with Ø20 mm tube clamp)



Toolflex Professional System is a quality Swedish product from Delex Teknik AB. Delex is quality certified in accordance with ISO 9001:2015 and ISO: 14001:2015, standards which ensures that all Delex products are manufactured with a consistently high quality and function standard. Visit Delex webpage, www.delex.se

Delex Teknik AB

Forsnäsavägen 11
SE-331 71 Forsheda
+ 46 (0)370 37 46 00
info@toolflex.com